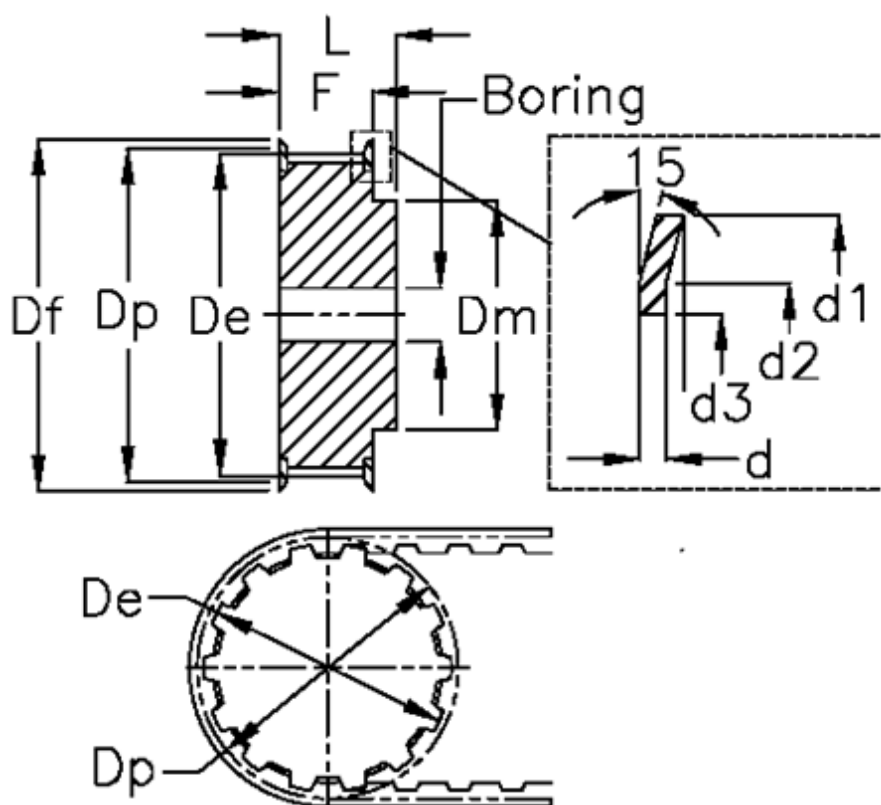


Article number: 604144048085

Description: Timing belt pulley with hub  
HTD 48 8M 85

## Measures



Bore = 18	Dp	= 122.23
d = 1.5	F	= 95
d1 = 128	Flange type	= F40
d2 = 124	L	= 105
d3 = 107	Tooth number	= 48
De = 120.86	Type	= 8M
Df = 128	Weight	= 7
Dm = 80	Width	= 85